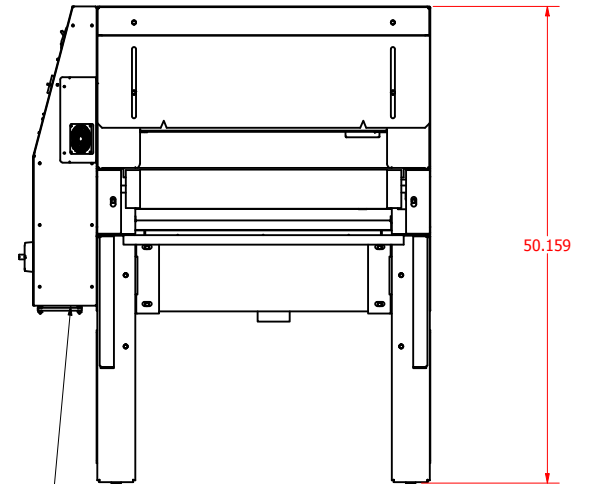
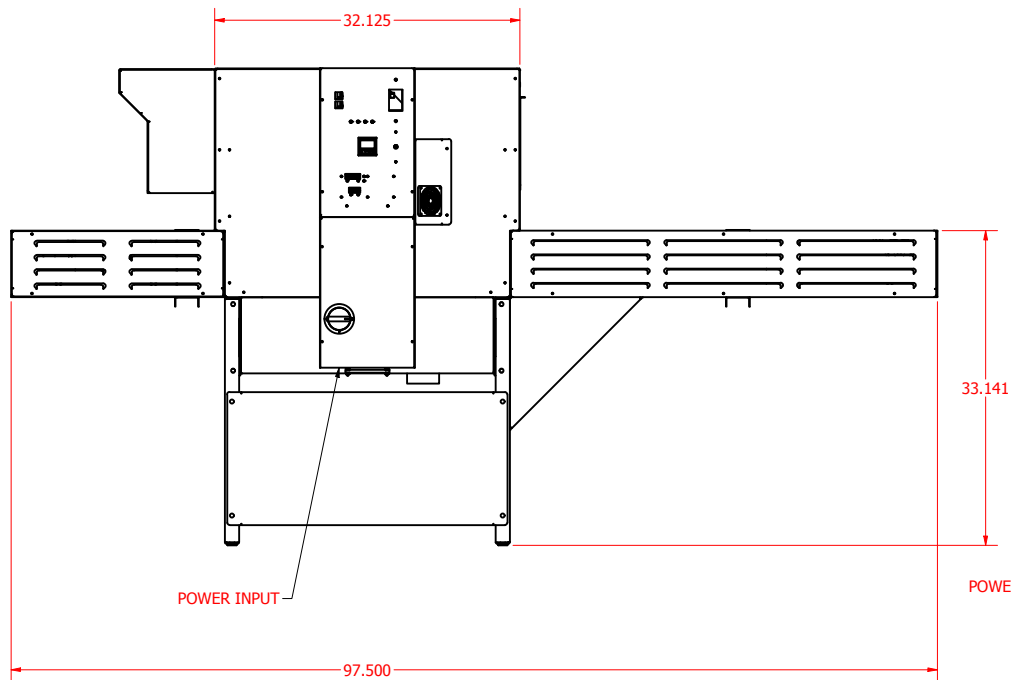
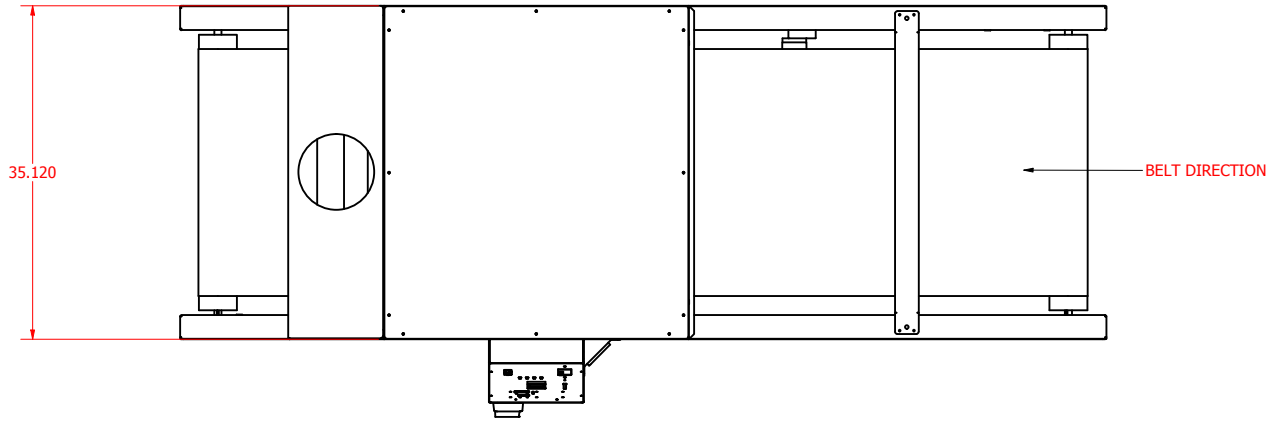


KNIGHT ENGINEERING DRAWING

ELECTRICAL SPECS
 208V-240V
 1 PH
 32A



Material:	Finish:
Unspecified Tolerances x.xx ± 0.010 x.xxx ± 0.005 Remove all spatter, Burrs & Break sharp edges.	Proprietary Information of: 4661 Stafford Ave. S.W. Wyoming, MI 49548 Tel. (616)249-0200 Fax. (616)249-3211 www.brownmfg.net
ENG: DAVID DATE: 11/30/2020 SHEET: 1 of 1	
Part Number : PR14450	

CRIMSON DRAGON 2430